



**GS-1116A**  
16-port Unmanaged Gigabit Ethernet Switch



**GS-1124A**  
24-port Unmanaged Gigabit Ethernet Switch

## Cost Advantage Solution for Gigabit-to-the Desktop

- Non-blocking Gigabit wire-speed forwarding to fly the transmission
- Jumbo frame mode support (up to 10K bytes) to maximize efficiency of transmission for giant packets
- IEEE802.1p CoS support to priority transmission according to packet priority level
- IEEE 802.3x Flow control to optimize transmission by reducing congestion
- 2 built-in Dual-personality (RJ-45 or SFP open slot) interfaces for flexible deployment
- Auto MDI/MDI-X support for hassle-free usage
- 1U, 19" rack mountable



**16/24-port Unmanaged Gigabit Ethernet Switch**

GS-1116A  
GS-1124A

### Benefits

#### Cost-effective Solution for Gigabit Migration

ZyXEL GS-1116A/GS-1124A is a 16-port/24-port unmanaged gigabit switch providing a cost-effective solution to empower "Gigabit to the desktop" connectivity. This brings significant performance improvement with increased network bandwidth. In addition, the GS-1116A/GS-1124A come with two dual personality (RJ-45 or SFP open slot) interfaces. It offers flexible connectivity (copper or fiber) to adapt to different deployment environments. The GS-1116A/GS-1124A is an ideal solution for bandwidth-hungry applications (such as high resolution digital image transmission, video/audio file streaming/downloading, server farm connectivity).

#### Wire-speed Gigabit Engine to Fly the Transmission

With a robust hardware design, the GS-1116A/GS-1124A performs packet forwarding at wire-speed, which can instantly transfer giant packets without performance degradation. In addition, with the support of 802.3x flow control, the GS-1116A/GS-1124A guarantees smooth transmission by adjusting packet transmission to reduce congestion. IEEE802.1p CoS allows the GS-1116A/GS-1124A to send packets based on the priority level to optimize multi-service applications, like VoIP, video conferencing or video streaming. In addition, the GS-1116A/GS-1124A supports jumbo frame transmission up to 10K bytes to improve transmission efficiency and network performance.

#### Hassle-free Installation and Usage

Connectivity can be as easy as connecting to a port on the switch. All the rest of the functions are done automatically. All ports on the GS-1116A/GS-1124A are Auto MDI/MDIX; that means you don't need to check the Ethernet cable type. In addition, auto-negotiation helps adjust link speed intelligently to reach the best link quality. In other words, there is not hassle of twiggling with the switch or pouring over the user manuals. The GS-1116A/GS-1124A is rack mountable, allowing you to place it in a rack to save precious office space.

## Specifications

### Standard Compliance

- IEEE 802.3 10Base-T Ethernet
- IEEE 802.3u 100 Base-Tx Ethernet
- IEEE 802.3ab 1000 Base-T Ethernet
- IEEE 802.3z 1000Base-X Ethernet
- IEEE 802.3x Flow control
- IEEE 802.1p Class of service, priority protocols

### Performance

- Jumbo Frame support up to 10K bytes
- IEEE 802.1p with 2 priority queues per port for different types of traffic
- Wire-speed performance

#### GS-1116A

- 32Gbps non-blocking switching fabric
- Switching Forwarding Rate:  
26.8Mpps (1488000pps/1000Base-T or 1000Base-X)

#### GS-1124A

- 48Gbps non-blocking switching fabric
- Switching Forwarding Rate:  
38.7Mpps (1488000pps/1000Base-T or 1000Base-X)

### MAC

- 4K MAC entries (GS-1116A/GS-1124A)

### Memory Buffer

- GS-1116A: 340kB
- GS-1124A: 500kB

### Hardware Specifications

- GS-1116A: 14 x 1000Base-T + 2 x Dual Personality (RJ-45/SFP slot) GbE Interface
- GS-1124A: 22 x 1000Base-T + 2 x Dual Personality (RJ-45/SFP slot) GbE Interface
- Support auto-negotiation
- Support auto MDI/MDI-X

### Power Requirements

#### GS-1116A

- Input voltage of AC: 100-240VAC, 50/60Hz
- Max power rating of AC: 17.3 Watt

#### GS-1124A

- Input voltage of AC: 100-240VAC, 50/60Hz
- Max power rating of AC: 26.5 Watt

### Physical Specifications

#### GS-1116A

- Dimensions: 440 (W) x 161 (D) x 44 (H) mm
- Weight: 3.0Kg

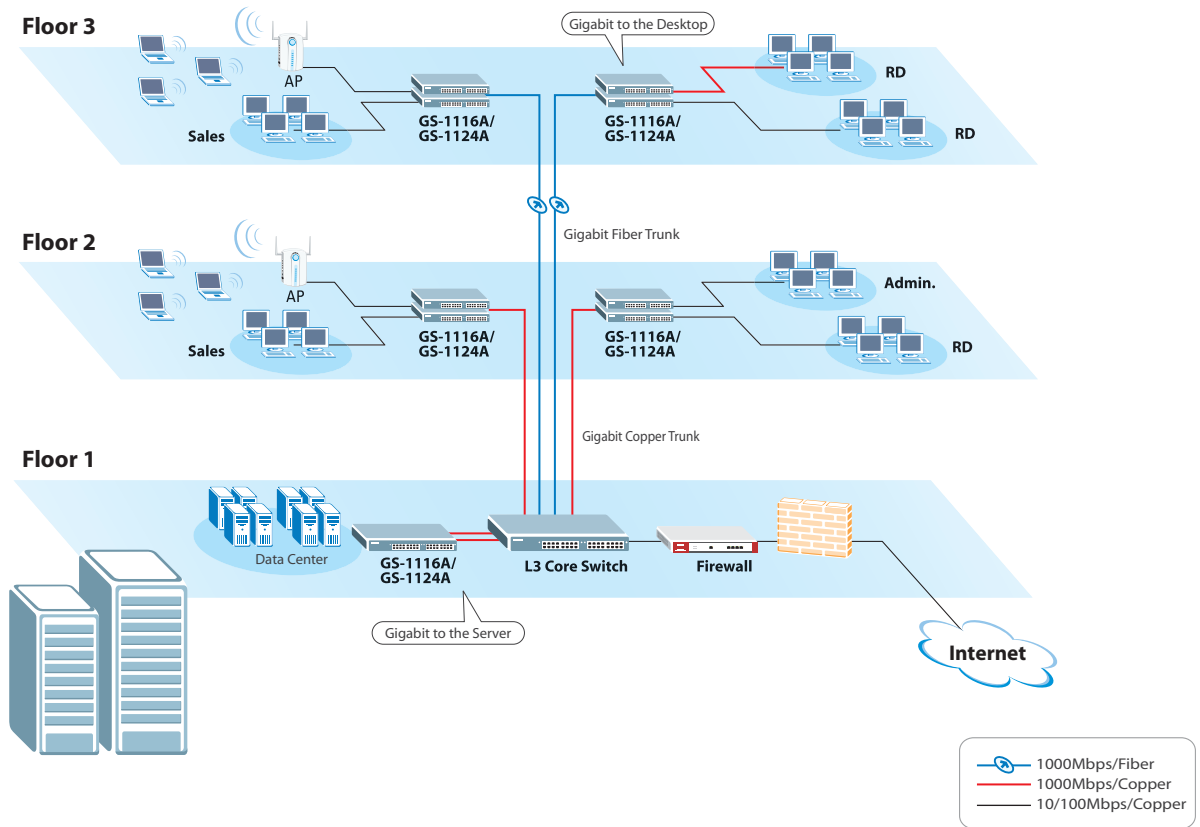
#### GS-1124A

- Dimensions: 440 (W) x 161 (D) x 44 (H) mm
- Weight: 3.2Kg

### Environmental Specifications

- Operating temperature: 0°C ~ 45°C
- Storage temperature: -25°C ~ 70°C
- Operating humidity: 10% ~ 90%, non-condensing

## Application Diagram



## Operational Information

### Transceiver (Optional)

Model Name	Optical Receiver Sensitivity	Wavelength	Connector	Transmission Distance vs. Fiber Cable Specification			Operational Ranges	
				62.5um Multi-Mode Fiber	50um Multi-Mode Fiber	9/10um Single-Mode Fiber	Supply Voltage	Max Current
SFP-SX	-17 dBm	850 nm	LC	220 m	550 m	-	3.15 ~ 3.45 V	300 mA
SFP-LX-10	-20 dBm	1310 nm	LC	550 m	550 m	10 km	3.15 ~ 3.45 V	300 mA
SFP-LHX1310-40	-23 dBm	1310 nm	LC	-	-	40 km	3.15 ~ 3.45 V	300 mA
SFP-ZX-80	-24 dBm	1550 nm	LC	-	-	80 km	3.15 ~ 3.45 V	300 mA

For more product information, visit us on the web [www.ZyXEL.com](http://www.ZyXEL.com)

**Corporate Headquarters**  
**ZyXEL Communications Corp.**  
Tel: +886-3-578-3942  
Fax: +886-3-578-2439  
Email: [sales@zyxel.com.tw](mailto:sales@zyxel.com.tw)  
<http://www.zyxel.com>

**ZyXEL Denmark A/S**  
Tel: +45 39 55 07 00  
Fax: +45 39 55 07 07  
Email: [sales@zyxel.dk](mailto:sales@zyxel.dk)  
<http://www.zyxel.dk>

**ZyXEL France SARL**  
Tel: +33 (0)4 72 52 97 97  
Fax: +33 (0)4 72 52 19 20  
Email: [info@zyxel.fr](mailto:info@zyxel.fr)  
<http://www.zyxel.fr>

**ZyXEL Hungary**  
Tel: +36-1-336-1646  
Fax: +36-1-325-9100  
Email: [info@zyxel.hu](mailto:info@zyxel.hu)  
<http://www.zyxel.hu>

**ZyXEL North America**  
Tel: +1-714-632-0882  
Fax: +1-714-632-0858  
Email: [sales@zyxel.com](mailto:sales@zyxel.com)  
<http://www.us.zyxel.com>

**ZyXEL Poland**  
Tel: +48225286603  
Fax: +48225206701  
Email: [info@pl.zyxel.com](mailto:info@pl.zyxel.com)  
<http://www.pl.zyxel.com>

**ZyXEL Spain**  
Tel: +34 902 195 420  
Fax: +34 913 005 345  
Email: [sales@zyxel.es](mailto:sales@zyxel.es)  
<http://www.zyxel.es>

**ZyXEL UK Ltd.**  
Tel: +44 (0) 1344 303044  
Fax: +44 (0) 1344 303034  
Email: [sales@zyxel.co.uk](mailto:sales@zyxel.co.uk)  
<http://www.zyxel.co.uk>

**ZyXEL Czech s.r.o.**  
Tel: +420 241 091 350  
Fax: +420 241 091 359  
Email: [info@zyxel.cz](mailto:info@zyxel.cz)  
<http://www.zyxel.cz>

**ZyXEL Finland Oy**  
Tel: +358-9-4780 8400  
Fax: +358-9-4780 8448  
Email: [sales@zyxel.fi](mailto:sales@zyxel.fi)  
<http://www.zyxel.fi>

**ZyXEL Germany GmbH.**  
Tel: +49 (0) 2405-6909 0  
Fax: +49 (0) 2405-6909 99  
Email: [sales@zyxel.de](mailto:sales@zyxel.de)  
<http://www.zyxel.de>

**ZyXEL Kazakhstan**  
Tel: +7-327-2-590-699  
Fax: +7-327-2-590-689  
Email: [sales@zyxel.kz](mailto:sales@zyxel.kz)  
<http://www.zyxel.kz>

**ZyXEL Norway A/S**  
Tel: +47 22 80 61 80  
Fax: +47 22 80 61 81  
Email: [sales@zyxel.no](mailto:sales@zyxel.no)  
<http://www.zyxel.no>

**ZyXEL Russia**  
Tel: +7 (095) 542-8920  
Fax: +7 (095) 542-8925  
Email: [info@zyxel.ru](mailto:info@zyxel.ru)  
<http://www.zyxel.ru>

**ZyXEL Sweden A/S**  
Tel: +46 (0) 31 744 77 00  
Fax: +46 (0) 31 744 77 01  
Email: [sales@zyxel.se](mailto:sales@zyxel.se)  
<http://www.zyxel.se>

**ZyXEL Ukraine**  
Tel: +380 44 494 49 31  
Fax: +380 44 494 49 32  
Email: [sales@ua.zyxel.com](mailto:sales@ua.zyxel.com)  
<http://www.ua.zyxel.com>



Copyright © 2006 ZyXEL Communications Corp. All rights reserved. ZyXEL, ZyXEL logo and ZyNOS are registered trademarks of ZyXEL Communications Corp. All other brands, product names, or trademarks mentioned are the property of their respective owners. All specifications are subject to change without notice.