

I2C-Master Core Specification

*Author: Richard Herveille
RHerveille@opencores.org*

**Rev. 0.3
March 6, 2001**

This page left blank intentionally

Revision History

Rev.	Date	Author	Description
0.1	17/02/01	Richard Herveille	First draft release
0.2	01/03/01	Richard Herveille	Some cleaning up throughout the document Added 'Programming Examples' section
0.3		Richard Herveille	Added some comments after core-changes - added BUSY bit (status register) - changed I2C IO for ASIC support - added comment for FGPA IO

1

Introduction

I2C is a two-wire, bi-directional serial bus that provides a simple and efficient method of data exchange between devices. It is most suitable for applications requiring occasional communication over a short distance between many devices.

The interface defines 3 transmission speeds:

- normal: 100kbps
- fast: 400kbps
- high speed:3.5Mbps

Only 100kbps and 400kbps modes are supported directly.

The I2C standard is a true multi-master bus including collision detection and arbitration that prevents data corruption if two or more masters attempt to control the bus simultaneously. This core, however, supports only single master operations, in which the core is the master.

FEATURES

- **Software programmable clock frequency**
- **Software programmable acknowledge bit**
- **Interrupt driven data-transfers**
- **Start/Stop/Repeated Start/Acknowledge generation**
- **Supports Clock Stretching/Wait state generation**
- **Single Master Operation**

2

IO ports

2.1 WISHBONE interface signals

Port	Width	Direction	Description
CLK_I	1	Input	Master clock
RST_I	1	Input	Synchronous reset, active high
nRESET	1	Input	Asynchronous reset, active low
ADR_I	2	Input	Lower address bits
DAT_I	16	Input	Data towards the core
DAT_O	16	Output	Data from the core
SEL_I	2	Input	Byte select signals
WE_I	1	Input	Write enable input
STB_I	1	Input	Strobe signal/Core select input
CYC_I	1	Input	Valid bus cycle input
ACK_O	1	Output	Bus cycle acknowledge output
INTA_O	1	Output	Interrupt signal output

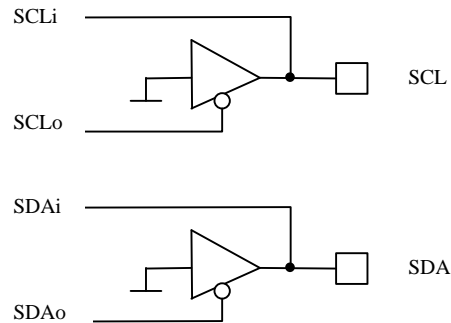
nReset is not a WISHBONE compatible signal, it is provided for FPGA implementations. Since most FPGAs provide a dedicated reset path using [nRESET] instead of [RST_I] can result in lower cell-usage and higher performance. Use either [nRESET] or [RST_I].

2.2 External connections

Port	Width	Direction	Description
SCLo	1	Output	Serial Clock line output
SCLi	1	Input	Serial Clock line input
SDAo	1	Output	Serial Data line output
SDAi	1	Input	Serial Data line input

The I2C interface uses a serial data line (SDA) and a serial clock line (SCL) for data transfers. All devices connected to these two signals must have open drain or open collector outputs. Both lines must be pulled-up to VCC by external resistors.

The tri-state buffers for the SCL and SDA lines have to be added at a higher hierarchical level. Connections should be made according to the following figure:



For FPGA designs the compiler can automatically insert these buffers using the following VHDL code:

```
SCL <= '0' when (SCLo = '0') else 'Z';  
SDA <= '0' when (SDAo = '0') else 'Z';  
SCLi <= SCL;  
SDAi <= SDA;
```

3

Registers

3.1 Registers list

Name	Address	Width	Access	Description
PRER	0x00	16	RW	Clock Prescale register
CTR	0x01	8	RW	Control register
TXR	0x02 msb	8	RW	Transmit register
RXR	0x03 msb	8	R	Receive register
CR	0x02 lsb	8	RW	Command register
SR	0x03 lsb	8	R	Status register

3.2 Register description

3.2.1 Prescale Register

This register is used to prescale the SCL clock line. Due to the structure of the I2C interface, the core uses a 4*SCL clock internally. The prescale register must be programmed to this 4*SCL bitrate. Change the value of the prescale register only when the 'EN' bit is cleared.

Example: CLK_I = 32MHz, desired SCL = 100KHz

$$\text{Prescale} = \frac{32\text{MHZ}}{4 * 100 \text{ kHz}} = 80 \text{ (dec)} = 50 \text{ (hex)}$$

Reset value: 0xFFFF

3.2.2 Control register

Bit #	Access	Description
7	RW	EN, I2C core enable bit. When set to '1' the core is enabled. When set to '0' the core is disabled.
6	RW	IEN, I2C core interrupt enable bit. When set to '1' interrupt is enabled. When set to '0' interrupt is disabled.
5:0	RW	<i>Reserved</i>

Reset Value: 0x00

The core responds to new commands only when the 'EN' bit is set. Pending commands are finished. Clear the 'EN' bit only when no transfer is in progress, i.e. after a STOP command, or when the command register has the STO bit set. When halted during a transfer, the core can hang the I2C bus.

3.2.3 Transmit register

Bit #	Access	Description
7:1	RW	Next byte to transmit via I2C
0	RW	In case of a data transfer this bit represent the data's LSB. In case of a slave address transfer this bit represents the RW bit. '1' for reading from slave '0' for writing to slave

Reset value: 0x00

3.2.4 Receive register

Bit #	Access	Description
7:0	R	Last byte received via I2C

Reset value: 0x00

3.2.5 Command register

Bit #	Access	Description
7	RW	STA, generate (repeated) start condition
6	RW	STO, generate stop condition
5	RW	RD, read from slave
4	RW	WR, write to slave
3	RW	ACK, when a receiver, sent ACK (ACK = '0') or NACK (ACK = '1')
2:1	RW	<i>Reserved</i>
0	RW	IACK, Interrupt acknowledge. When set, clears a pending interrupt.

Reset Value: 0x00

The STA, STO, RD, WR and IACK bits are cleared automatically. These bits are always read as zeros.

3.2.6 Status register

Bit #	Access	Description
7	R	RxACK, Received acknowledge from slave. This flag represents the addressed slave's acknowledge. '1' = No acknowledge received '0' = Acknowledge received
6	R	Busy, I2C bus busy '1' after START signal detected '0' after STOP signal detected
5:2	R	<i>Reserved</i>
1	R	TIP, Transfer in progress. '1' when transferring data '0' when transfer complete
0	R	IF, Interrupt Flag. This bit is set when an interrupt is pending, which will cause an processor interrupt request if IEN bit is set. The Interrupt Flag is set when: - Completed one byte transfer

Reset Value: 0x00

3.2.7 Notes

1) Combined Transmit register and Command register

The Transmit register and the Command register are both mapped to address 0x02. The Transmit register is the MSB and the Command register the LSB.

D15	D14	D13	D12	D11	D10	D9	D8	D7	D6	D5	D4	D3	D2	D1	D0
TxD7	TxD6	TxD5	TxD4	TxD3	TxD2	TxD1	TxD0	STA	STO	RD	WR	ACK	Res	Res	IACK

2) Combined Receive and Status register

The Receive register and the Status register are both mapped to address 0x03. The Receive register is the MSB and the Status register the LSB.

D15	D14	D13	D12	D11	D10	D9	D8	D7	D6	D5	D4	D3	D2	D1	D0
RxD7	RxD6	RxD5	RxD4	RxD3	RxD2	RxD1	RxD0	RxACK	Res	Res	Res	Res	Res	TIP	IF

3) Reserved bits

All reserved bits are read as zeros. To ensure forward compatibility they should be written as zeros.

4

Operation

4.1 System Configuration

The I2C system uses a serial data line (SDA) and a serial clock line (SCL) for data transfers. All devices connected to these two signals must have open drain or open collector outputs. The logic AND function is exercised on both lines with external pull-up resistors.

The I2C core is a single master device; therefore it starts generating a clock as soon as it is released from reset. This being the slowest clock possible (CDR = 0xFF). The user should program this register to the desired value before starting any transfers.

Data is transmitted synchronously to SCL on the SDA line on a byte-by-byte basis. Each data byte is 8bits long. There is one SCL clock pulse for each data bit with the MSB being transmitted first. There is an acknowledge bit following each transferred byte. Each bit is sampled during the high period of SCL; therefore the SDA line may be changed only during the low period of SCL and must be held stable during the high period of SCL. A transition on the SDA line while SCL is high is interpreted as a command (see START and STOP signals).

4.2 I2C Protocol

Normally, a standard communication consists of four parts:

- 1) START signal generation
- 2) Slave address transfer
- 3) Data transfer
- 4) STOP signal generation



4.2.1 START signal

When the bus is free/idle, meaning no master device is engaging the bus (both SCL and SDA lines are high), a master can initiate a transfer by sending a START signal. A

START signal is defined as a high-to-low transition of SDA while SCL is high. The START signal denotes the beginning of a new data transfer.

A repeated START is a START signal without first generating a STOP signal. The master uses this method to communicate with another slave or the same slave in a different transfer direction (e.g. writing to device to reading from device) without releasing the bus.

The core generates a START signal when the STA-bit in the Command Register is set and the RD or WR bits are set. Depending on the current status of the SCL line a START or Repeated START is generated.

4.2.2 Slave Address Transfer

The first byte of data transferred by the master immediately after the START signal is the slave address. This is a seven-bit calling address followed by a RW bit. The RW bit signals the slave data transfer direction. No two slaves in the system can have the same address. Only the slave with an address that matches the one transmitted by the master will respond by returning an acknowledge bit by pulling the SDA low at the 9th SCL clock cycle.

Note: The core supports 10bit slave addresses. See the Philips I2C specifications for more details.

The core treats a Slave Address Transfer as any other write action. Store the slave device's address in the Transmit Register and set the WR bit. The core will then transfer the slave address on the bus.

4.2.3 Data Transfer

Once successful slave addressing is achieved, the data transfer can proceed on a byte-by-byte basis in the direction specified by the RW bit sent by the master. Each transferred byte is followed by an acknowledge bit on the 9th SCL clock cycle. If the slave signals a No Acknowledge, the master can generate a STOP signal to abort the data transfer or generate a repeated START signal and start a new transfer cycle.

If the master, as the receiving device, does not acknowledge the slave, the slave releases the SDA line for the master to generate a STOP or repeated START signal.

For writing data to a slave store the data to transmit in the Transmit Register and set the WR bit. For reading data from a slave, set the RD bit. During a transfer the core set the TIP flag, indicating that a Transfer is In Progress. When the transfer is done the TIP flag is reset, the IF flag set and, when enabled, an interrupt generated. The Receive Register contains valid data after the IF flag has been set. The user may issue a new write or read command when the TIP flag is reset.

4.2.4 STOP signal

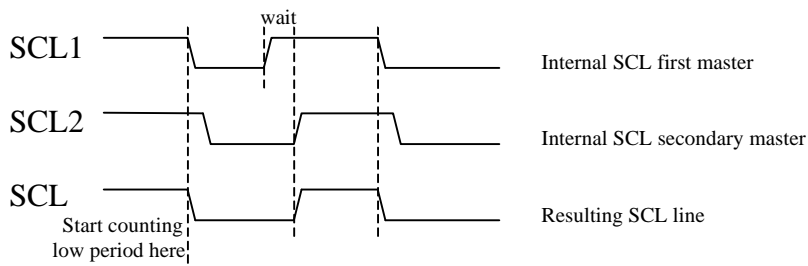
The master can terminate the communication by generating a STOP signal. A STOP signal is defined as a low-to-high transition of SDA while SCL is at logical '1'.

4.3 Arbitration Procedure

Since the I2C core supports single master configurations only, no Arbitration logic is added to the core. Only clock synchronization is supported since slave devices can use this protocol for clock stretching.

4.3.1 Clock Synchronization

Since the logical AND function is performed on the I2C signals, a high to low transition on SCL or SDA affect all devices connected to the bus. The SCL clock signal can be synchronized between multiple masters using this feature. Each device starts counting its SCL low period when the current master drives SCL low. Once a device's clock has gone low, it holds the SCL line low until the clock high state is reached.



4.3.2 Clock Stretching

Slave devices can use the clock synchronization mechanism to slow down the transfer bit rate. After the master has driven SCL low the slave can drive SCL low for the required period and then release it. If the slave's SCL low period is greater than the master's SCL low period, the resulting SCL bus signal low period is stretched, thus inserting wait-states.

5

Architecture

The I2C core is built around four primary blocks; the Clock Generator, the Byte Command Controller, the Bit Command Controller and the DataIO Shift Register. All other blocks are for interfacing or for storing temporary values.

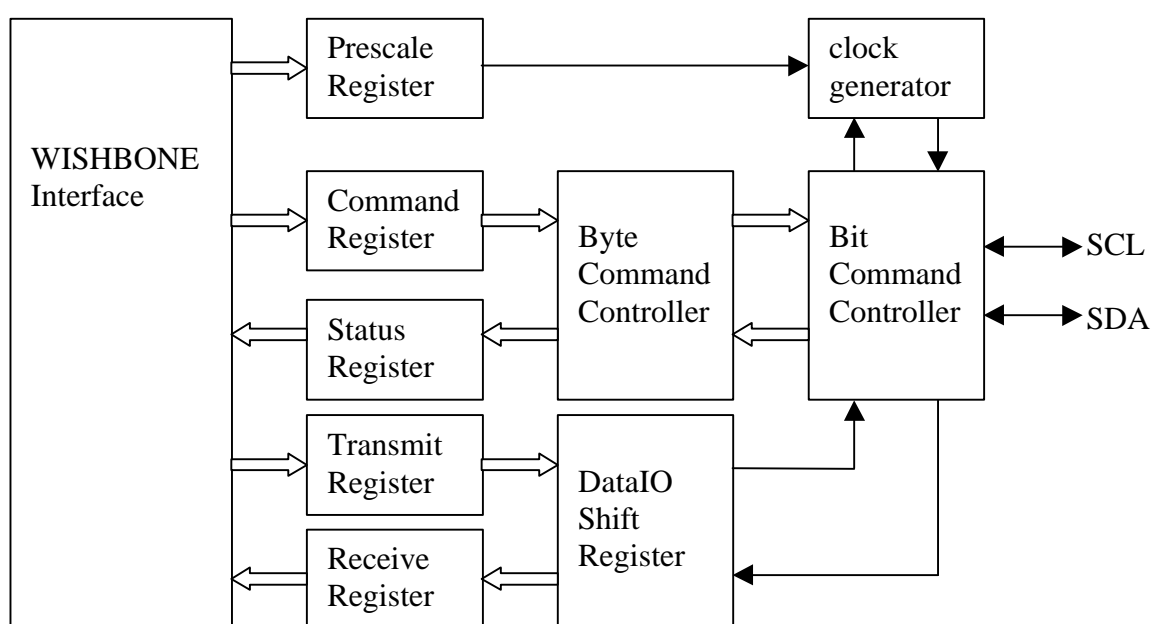


Fig. 5.1 Internal structure I2C Master Core

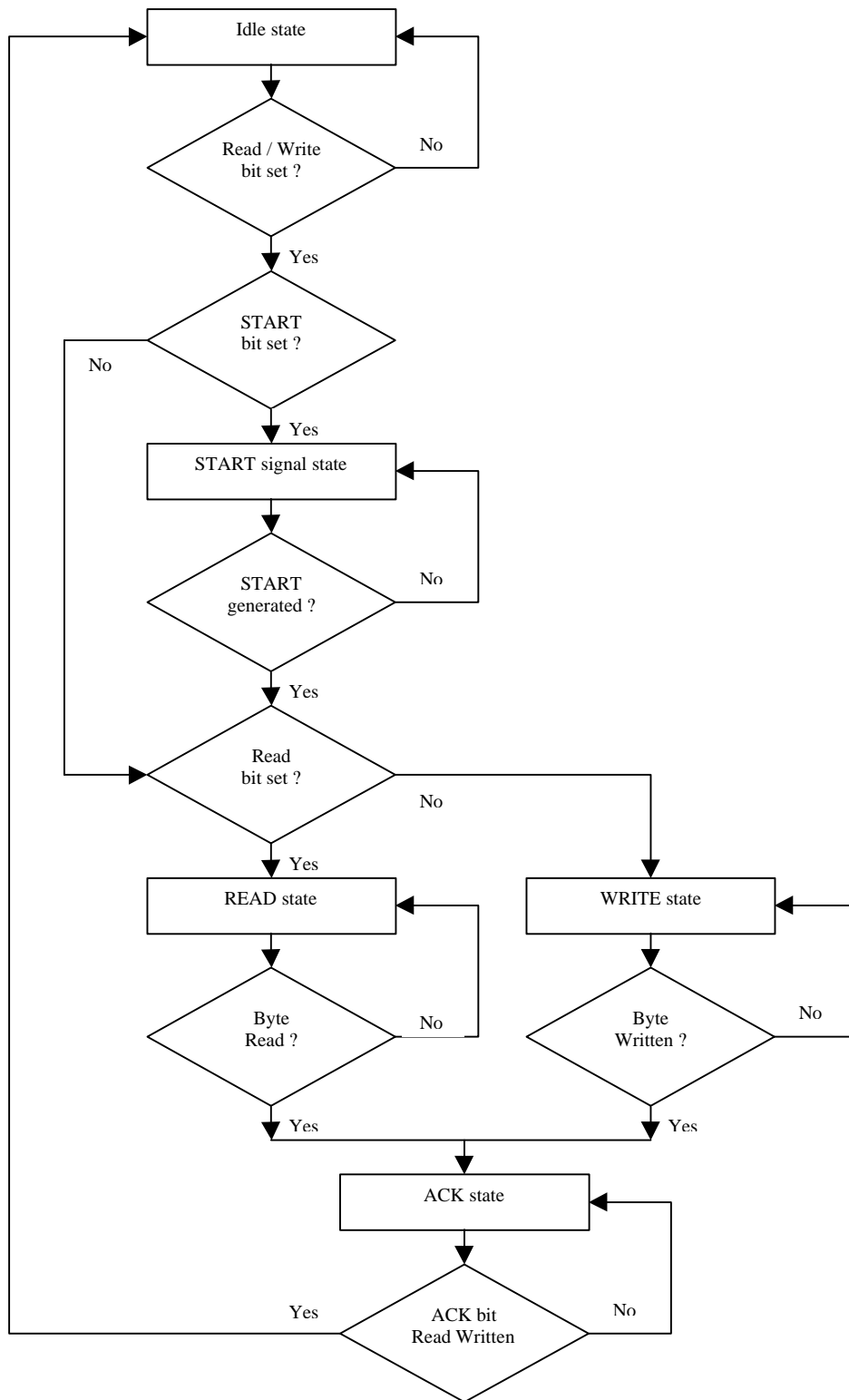
5.1 Clock Generator

The Clock Generator generates an internal $4 \cdot F_{scl}$ clock enable signal which triggers all synchronous elements in the Bit Command Controller. It also handles clock stretching needed by some slaves.

5.2 Byte Command Controller

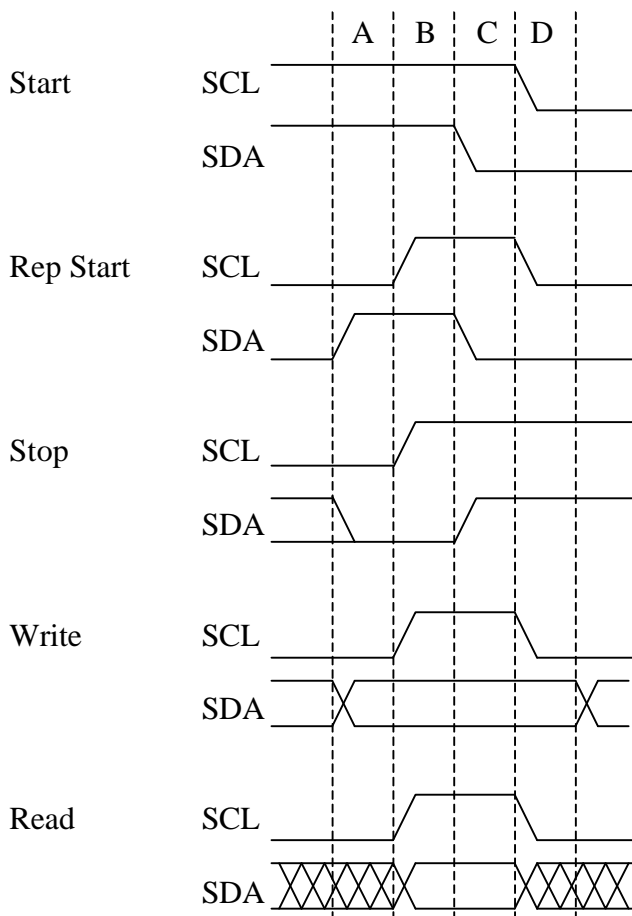
The Byte Command Controller handles I2C traffic at the byte level. It takes data from the Command Register and translates it into sequences based on the transmission of a single byte. For example, by setting the START, STOP and READ bit in the Command Register, the Byte Command Controller generates a sequence which results in the generation of a START signal, the reading of a byte from the slave device and the

generation of a STOP signal. It does this by dividing each byte operation into separate bit-operations, which are then sent to the Bit Command Controller.



5.3 Bit Command Controller

The Bit Command Controller handles the actual transmission of data and the generation of the specific levels for START, Repeated START and STOP signals by controlling the SCL and SDA lines. The Byte Command Controller tells the Bit Command Controller which operation has to be performed. For a single byte read, the Bit Command Controller receives 8 separate read commands. Each bit-operation is divided into 4 pieces, except for a STOP operation which is divided into 3 pieces, see figure 5.2.



5.4 DataIO Shift Register

The DataIO Shift Register contains the data associated with the current transfer. During a read action data is shifted in from the SDA line. After a byte has been read the contents are copied into the Receive Register. During a write action the Transmit Register's contents are copied into the DataIO Shift Register and are then transmitted onto the SDA line.

6

Programming examples

Example 1

Write 1 byte of data to a slave.

Slave address = 0x51 (b"1010001")

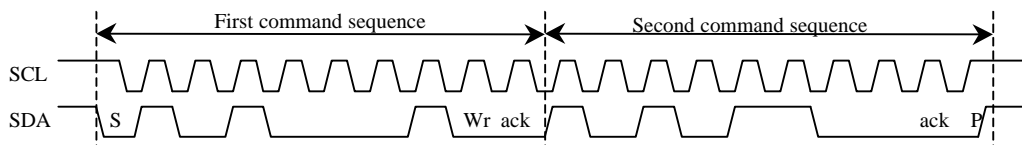
Data to write = 0xAC

I2C Sequence:

- 1) generate start command
- 2) write slave address + write bit
- 3) receive acknowledge from slave
- 4) write data
- 5) receive acknowledge from slave
- 6) generate stop command

Commands:

- 1) write 0xA2 (address + write bit) to Transmit Register, set STA bit, set WR bit.
-- wait for interrupt or TIP flag to negate --
- 2) read RxACK bit from Status Register, should be '0'.
write 0x5C to Transmit register, set STO bit, set WR bit.
-- wait for interrupt or TIP flag to negate --
- 3) read RxACK bit from Status Register, should be '0'.



Example 2

Read a byte of data from an I2C memory device.

Slave address = 0x4E

Memory location to read from = 0x20

I2C sequence:

- 1) generate start signal
- 2) write slave address + write bit
- 3) receive acknowledge from slave
- 4) write memory location
- 5) receive acknowledge from slave
- 6) generate repeated start signal
- 7) write slave address + read bit
- 8) receive acknowledge from slave
- 9) read byte from slave
- 10) write no acknowledge (NACK) to slave, indicating end of transfer
- 11) generate stop signal

Commands:

- 1) write 0x9C (address + write bit) to Transmit Register, set STA bit, set WR bit.
-- wait for interrupt or TIP flag to negate --
- 2) read RxACK bit from Status Register, should be '0'.
write 0x20 to Transmit register, set WR bit.
-- wait for interrupt or TIP flag to negate --
- 3) read RxACK bit from Status Register, should be '0'.
write 0x9D (address + read bit) to Transmit Register, set STA bit, set WR bit.
-- wait for interrupt or TIP flag to negate --
- 4) set RD bit, set ACK to '1' (NACK), set STO bit

